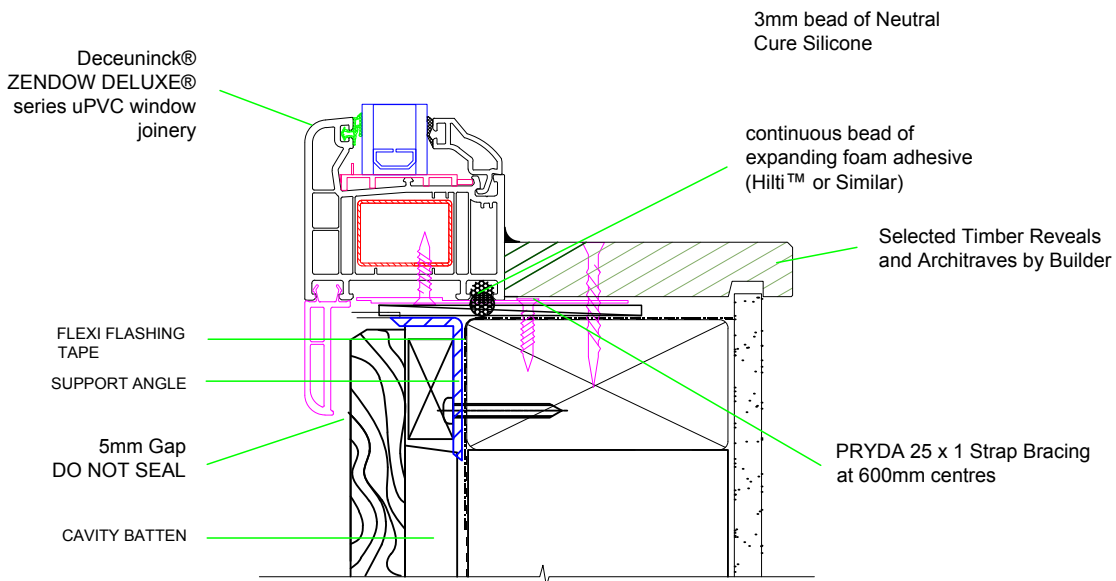


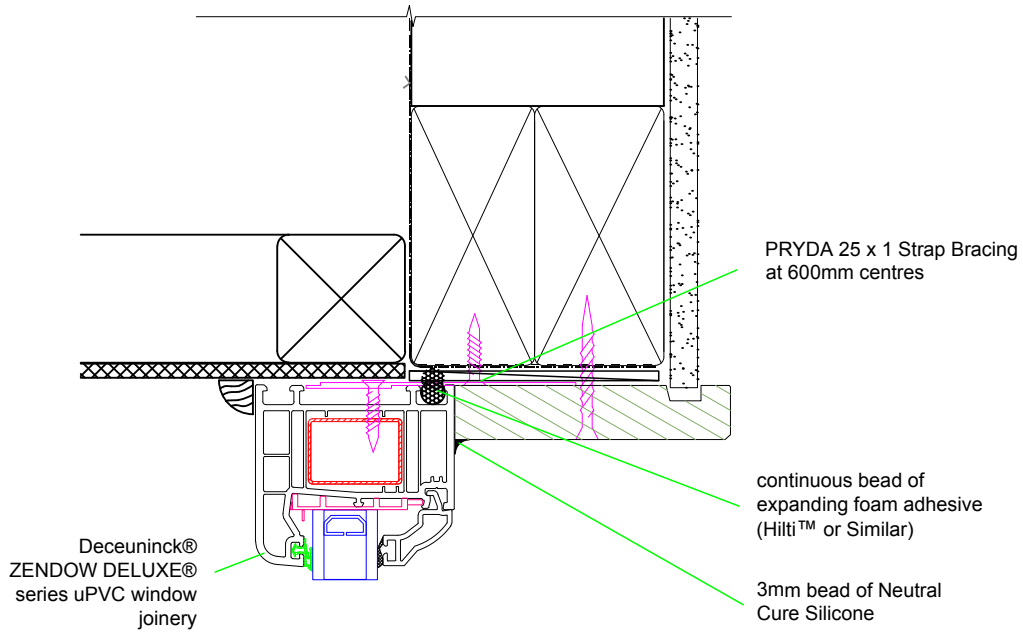
JAMB
Detail CAV.WIN.A.1.J



SILL
Detail CAV.WIN.A.1.S

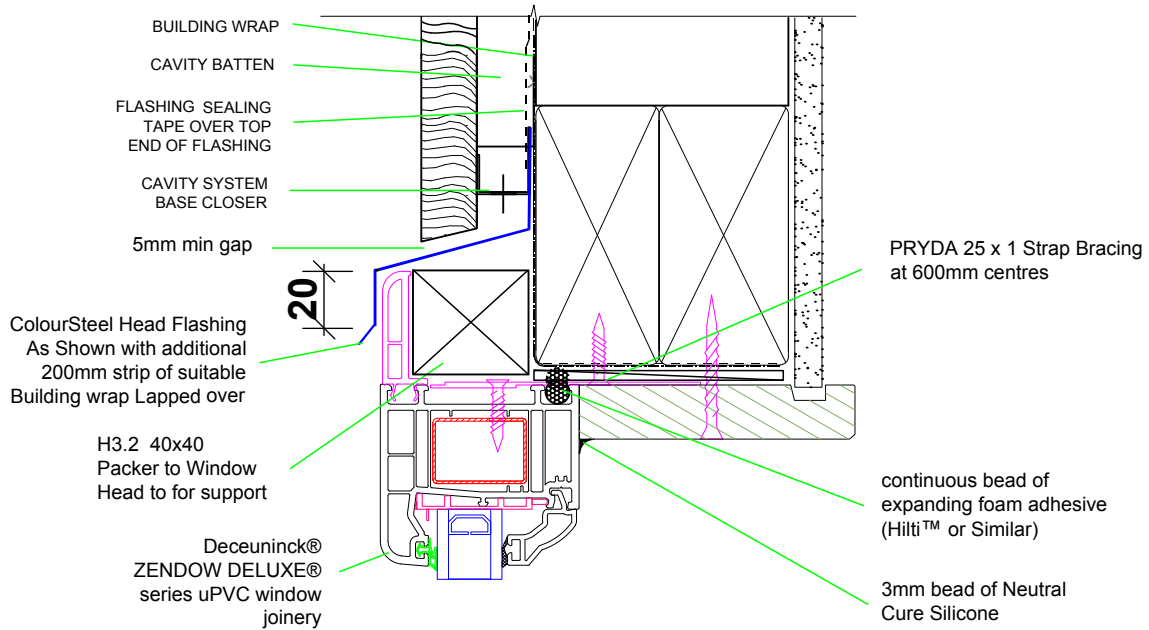
WINDOWS

RUSTICATED WEATHERBOARD ON CAVITY



SOFFIT LINING HEAD

Detail CAV.WIN.A.4a.H2



HEAD

Detail CAV.WIN.A.1.H

WINDOWS

RUSTICATED WEATHERBOARD
ON CAVITY