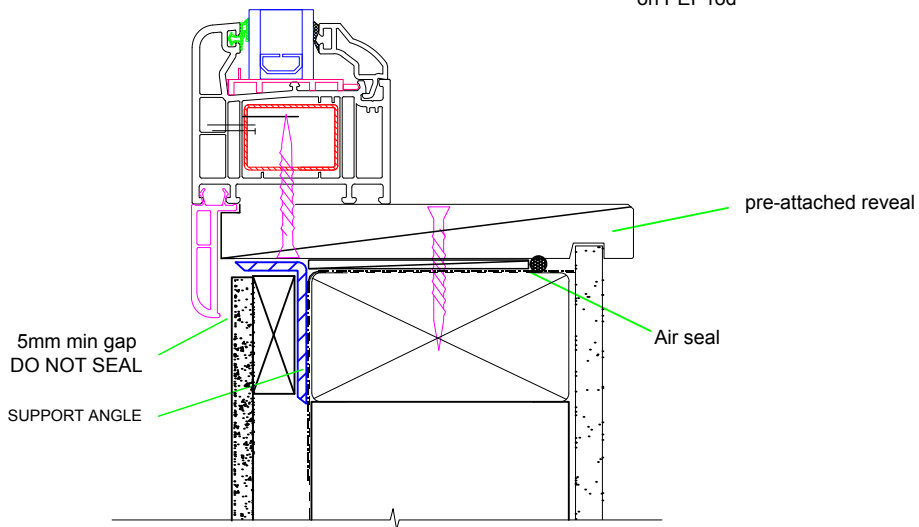
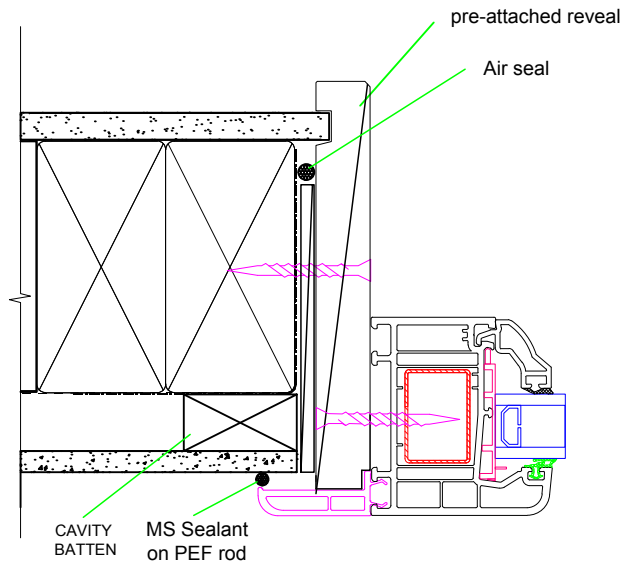


## HEAD

Detail CAV.WIN.R.2.H

## JAMB

Detail CAV.WIN.R.2.J



## SILL

Detail CAV.WIN.R.2.S

## WINDOW

Sheet Cladding  
on cavity